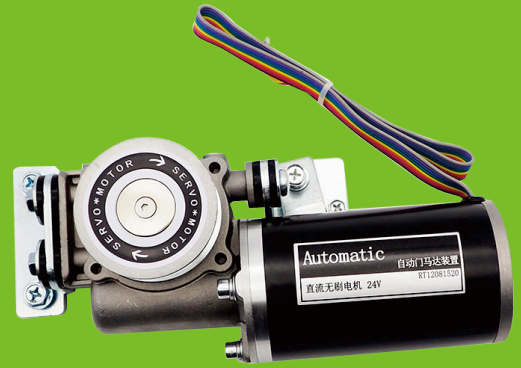


Sliding Door DC24V DC Brushless Motor

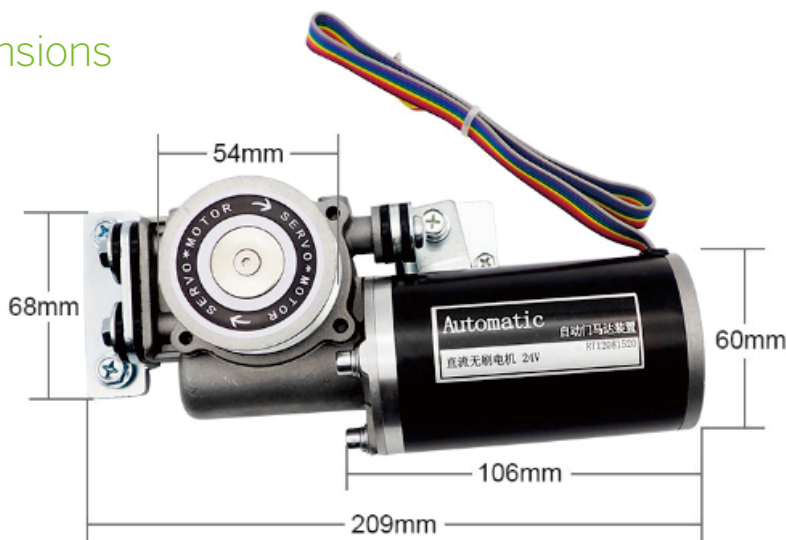


S4A-DC MOTOR

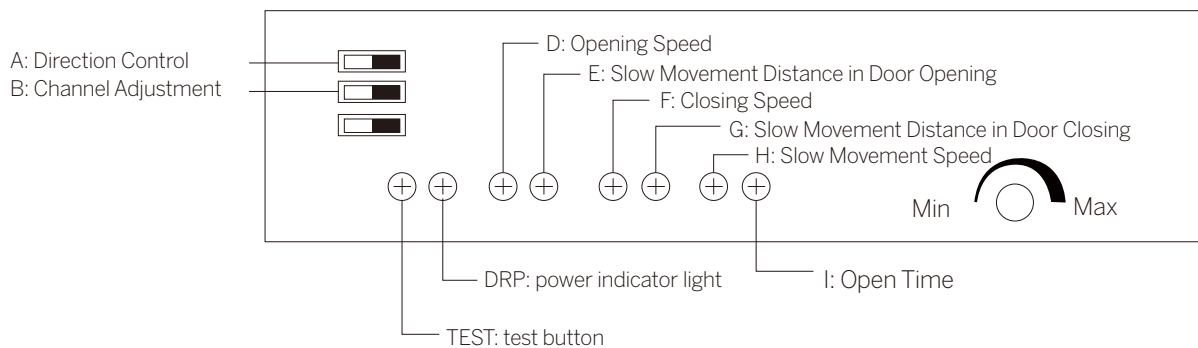
Specifications

Weight	About 2KG
Usage environment	-40°C~55°C
Controller	High-speed intelligent computer processor control
Opening hours	Within the range of 1-10 seconds after opening the door (adjustable)
Portal form	Single door: 250kgX1 door Double door: 150kgx2 doors
Door leaf width	DW= 500mm-2800mm
Power consumption	65W

Dimensions



Description of controller and terminal switch



Automatic door controller parameter adjustment instructions

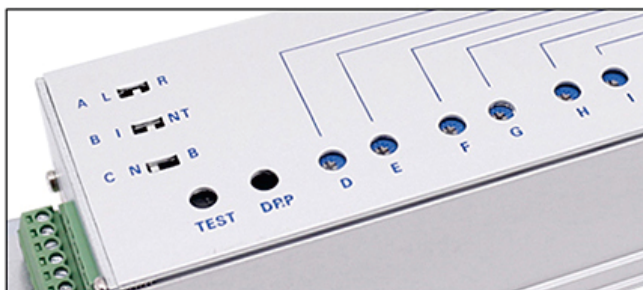
- TEST: It is the test button for opening the door. Press it once to complete the opening action.
- DRP: is the power indicator light, which is always on when the power is on.
- A: It is a switch for left and right door opening. When double opening the door, the switch is set to the right.
- B: When it is set to the left, it is always open when the sensor is detected, and it is always closed when it is detected again. When it is set to the right, it is automatically closed after being opened.
- C: When it is set to the left, the door will operate normally after the power is cut off; when it is set to the right, the back door will always be open when the power is cut off (the backup battery is connected)
- D: To adjust the door opening speed, turn counterclockwise to decrease the door opening speed, and clockwise to increase the opening speed.
- E: To adjust the slow travel distance for opening the door. Turn counterclockwise to reduce the slow travel distance for opening the door. Turn clockwise to increase it.
- F: To adjust the door closing speed, turn counterclockwise to decrease the door closing speed, turn clockwise to increase the door closing speed.
- G: Adjusts the door closing slow travel distance. Turn counterclockwise to decrease the door closing slow travel distance, and clockwise to increase it.
- H: To adjust the slow speed, turn counterclockwise to decrease the slow speed, and turn clockwise to increase it.
- I: Adjustment of the door opening dwell time. Turn counterclockwise to reduce the door opening dwell delay, and clockwise to increase it.

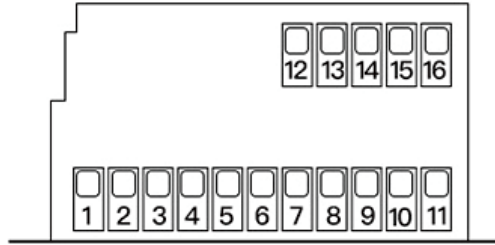
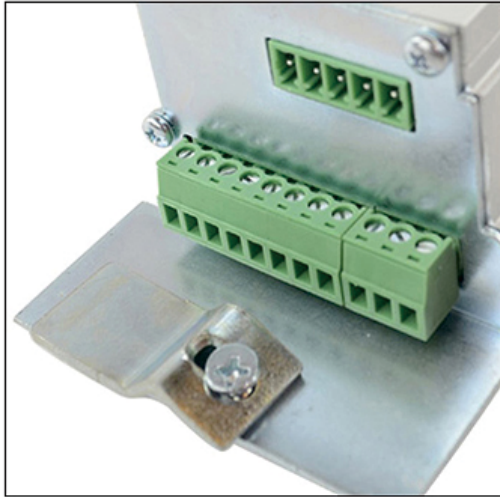


A: Direction Control
B: Channel Adjustment

D: Opening Speed
E: Slow Movement Distance
in Door Opening
F: Closing Speed

G: Slow Movement Distance
in Door Closing
H: Slow Movement Speed
I: Open Time





- | | | |
|--------------------------------|---------------------|------------------------------------|
| 1. Safety beam | 5. Interlock Output | 9. 0V |
| 2. Access Control Signal Input | 6. Common Line | 10. 24V Back Up Power Supply |
| 3. Interlock Input | 7. 0V | 11. +12V Lock Output |
| 4. Common Line | 8. 12V Output | 12-16: Remote Controller Interface |



S4A Industrial Co., Limited

Address: The 2nd floor, Jinmin'an Industrial Zone, #529, Bulong Rd.
Bantian St. Longgang Dist. Shenzhen, PRC.. CN 518131



Tel: +86 755 29450011

www.s4a-access.com